



# Lenercom ESS-10k<sub>(Single-Phase)</sub>

Rated Power: 10kW

Battery Capacity: 15.36—35.84kWh



## Security Protection

Voltage stabilization,  
short circuit protection  
of household applications



## Safety protection

Stable voltage, home load short  
circuit protection technology  
Fault automatic repair



## Intelligent Control

APP Remote Monitoring  
Fault Automatic Repair

## Technical Parameters



LC-E2-1015S



LC-E2-1020S



LC-E2-1025S

## Performance Specifications

|                                      |                                                           |
|--------------------------------------|-----------------------------------------------------------|
| Phase                                | Single Phase                                              |
| Rated Output Power                   | 10000VA                                                   |
| Rated Output Current                 | 43.5A                                                     |
| Single Battery Capacity              | 5.12kWh                                                   |
| No. of Expandable Batteries          | 3~7                                                       |
| Usable Capacity Range                | 15.36~35.84kWh                                            |
| Battery Type                         | LiFePO <sub>4</sub>                                       |
| Battery Output Voltage               | 85V~400V                                                  |
| Grid Voltage Range                   | 176V~270V                                                 |
| Rated voltage range                  | 230V                                                      |
| Rated Grid Frequency                 | 50HZ/60HZ<br>Auto Detect                                  |
| PV Max Input Power                   | 13000W                                                    |
| MPPT Voltage Range                   | 125V~500V                                                 |
| System Charge & Discharge Efficiency | 98.2%                                                     |
| Grounding Mode                       | TN                                                        |
| Switching Time                       | 20ms                                                      |
| Designed Lifespan                    | 10Years                                                   |
| Warranty *                           | 5 years Product Warranty<br>10 years Performance Warranty |

\*Please observe our applicable warranty conditions.

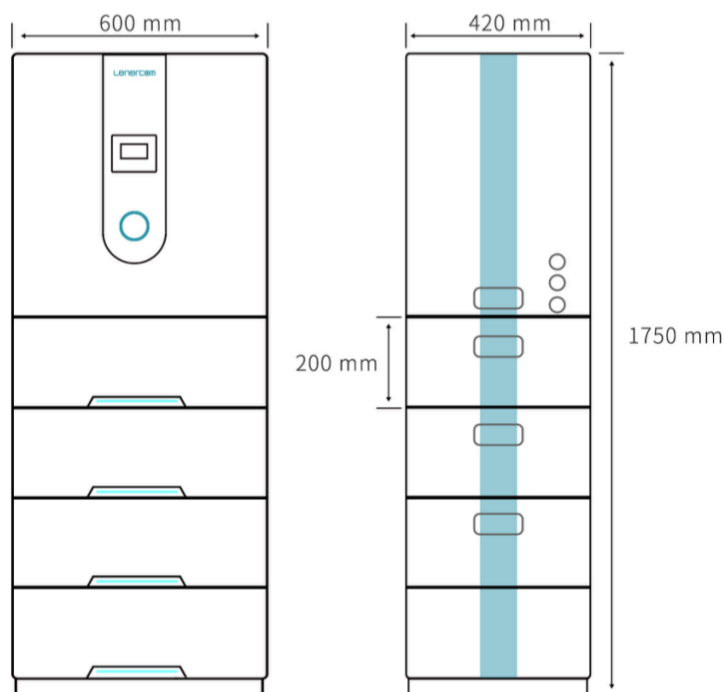
\* Under specific test conditions: 100% depth of discharge (DoD), 0.2C rate charge & discharge at 25°C.

\* We reserve the right to make technical changes. The values, outputs, other technical data, images, and diagrams in this prospectus and in data sheets, advertisements, and other promotional documents are approximate guidelines in all cases where they have not been identified as binding.

## Mechanical Specifications \*

|                            |                      |
|----------------------------|----------------------|
| Inverter Dimensions/Weight | 600/420/820mm/65.5kg |
| Battery Dimensions/Weight  | 600/420/200mm/54kg   |
| Base Dimensions/Weight     | 600/420/130mm/17.5kg |
| Mounting Options           | Stacking             |

\* The dimension of the product shall be subject to the real object, with a tolerance of  $\pm 3\%$ .



\*The dimension of the above picture corresponds to the product model: LC-E2-1020S.

## Environmental Specifications

|                         |                           |
|-------------------------|---------------------------|
| Operating Temperature * | -15°C~55°C                |
| Recommend Temperature   | 25°C                      |
| Altitude                | 2000M                     |
| Humidity                | 5~95%Without Condensation |
| Ingress Rating          | IP20                      |

\* When the temperature is below 0°C or above 40°C, the performance will be limited.

**Lenercom**

**Lenercom ESS-10K**(Single-Phase)

Hunan Lenercom Technology Co., Ltd.

+86 0731-88051567    +86 181 0841 3339    <https://www.lenercom.com>

Floor 12, building B1, Lugu science and technology innovation and entrepreneurship Park, Changsha City, Hunan Province



WATCH THE VIDEO