



Lenercom ESS-8k

Rated Power: 8kW

Battery Capacity: 20.48—30.72kWh



Flexible Expansion

Modular Stackable Design
Capacity Expansion Configuration



Safety protection

Stable voltage, home load short
circuit protection technology
Fault automatic repair



Intelligent Control

APP Remote Monitoring
Fault Automatic Repair

Technical Parameters



LC-E2-815T



LC-E2-820T



LC-E2-825T

Performance Specifications

Phase	Three-Phase
Rated Output Power	8000VA
Rated Output Current	12.7A
Single Battery Capacity	5.12kWh
No. of Expandable Batteries	4~6
Usable Capacity Range	20.48~30.72kWh
Battery Type	LiFePO ₄
Battery Output Voltage	125~600V
Grid Voltage Range	360V~440V
Rated Voltage Range	400V
Rated Grid Frequency	50HZ/60HZ Auto Detect
PV Max Input Power	10400W
MPPT Voltage Range	125V~850V
System Charge & Discharge Efficiency	98.2%
Grounding Mode	TN
Switching Time	20ms
Cycle Life *	≈10000 Times
Designed Lifespan	10Years
Warranty *	5 years Product Warranty 10 years Performance Warranty

*Please observe our applicable warranty conditions.

* Under specific test conditions: 100% depth of discharge (DoD), 0.2C rate charge & discharge at 25°C.

Compatible Parameter

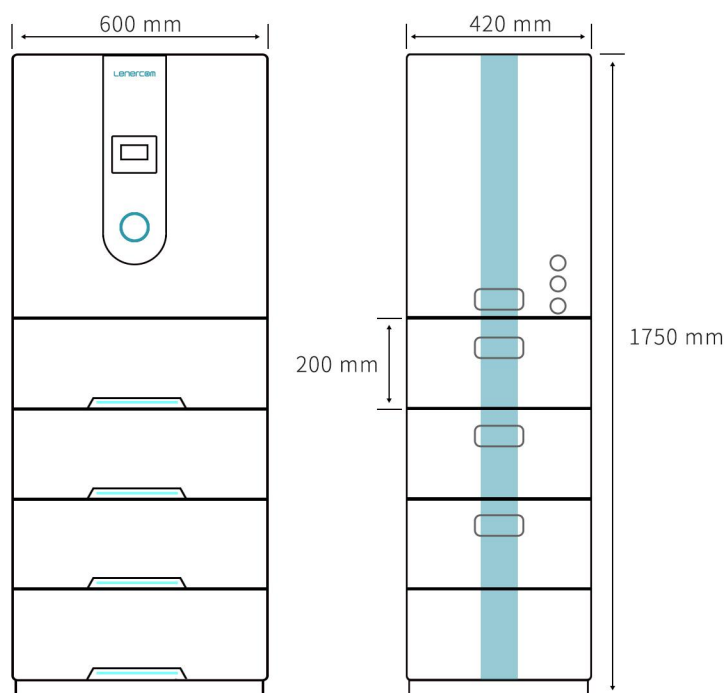
Certifications	CE/TUV
Safety Regulations	IEC 62109-1&-2, IEC 62477, EN 61000, UN38.3
Grid Regulations	CEI-021

* We reserve the right to make technical changes. The values, outputs, other technical data, images, and diagrams in this prospectus and in data sheets, advertisements, and other promotional documents are approximate guidelines in all cases where they have not been identified as binding.

Mechanical Specifications*

Inverter Dimensions/Weight	600/420/820mm/65.5kg
Battery Dimensions/Weight	600/420/200mm/54kg
Base Dimensions/Weight	600/420/130mm/17.5kg
Mounting Options	Stacking

* The dimension of the product shall be subject to the real object, with a tolerance of ±3%.



*The dimension of the above picture corresponds to the product model: LC-E2-1020T.

Environmental Specifications

Operating Temperature *	-15°C~55°C
Recommend Temperature	25°C
Altitude	2000M
Humidity	5~95%Without Condensation
Ingress Rating	IP21

* When the temperature is below 0°C or above 40°C, the performance will be limited.

Lenercom

Lenercom ESS-8K(Three-Phase)

Hunan Lenercom Technology Co., Ltd.

+86 0731-88051567 +86 181 0841 3339 <https://www.lenercom.com>

Floor 12, building B1, Lugu science and technology innovation and entrepreneurship Park, Changsha City, Hunan Province



WATCH THE VIDEO