



# Lenercom ESS-4k



**UN38.3**



Rated Power: 4kW

Battery Capacity: 5.12–25.6kWh



## Flexible Expansion

Modular Stackable Design  
Capacity Expansion Configuration



## Easy Installation

Solar and ESS Integration  
Toolless Installation



## Intelligent Control

APP Remote Monitoring  
Fault Automatic Repair

## Technical Parameters



LC-E2-405



LC-E2-410



LC-E2-415



LC-E2-420



LC-E2-425

## Performance Specifications

Phase	Single Phase
Rated Output Power	4000W
Rated Output Current	17.4A
Single Battery Capacity	5.12kWh
No. of Expandable Batteries	1~5
Usable Capacity Range	5.12~25.6kWh
Battery Type	LiFePO <sub>4</sub>
Rated Output Voltage	(220V~240V) ±5%
Grid Voltage Range	170-280V(UPS)
	90-280V(APL)
	183-253V(VDE)
PV Max Input Power	4000W
MPPT Voltage Range	64~130V
System Charge & Discharge Efficiency	93%
Grounding Mode	TN
Switching Time	10ms(UPS、VDE)
	20ms(APL)
Cycle Life *	≈10000 Times
Designed Lifespan	10Years
Warranty *	5 years Product Warranty
	10 years Performance Warranty

\*Please observe our applicable warranty conditions.

\*Under specific test conditions: 100% depth of discharge (DoD), 0.2C rate charge & discharge at 25°C.

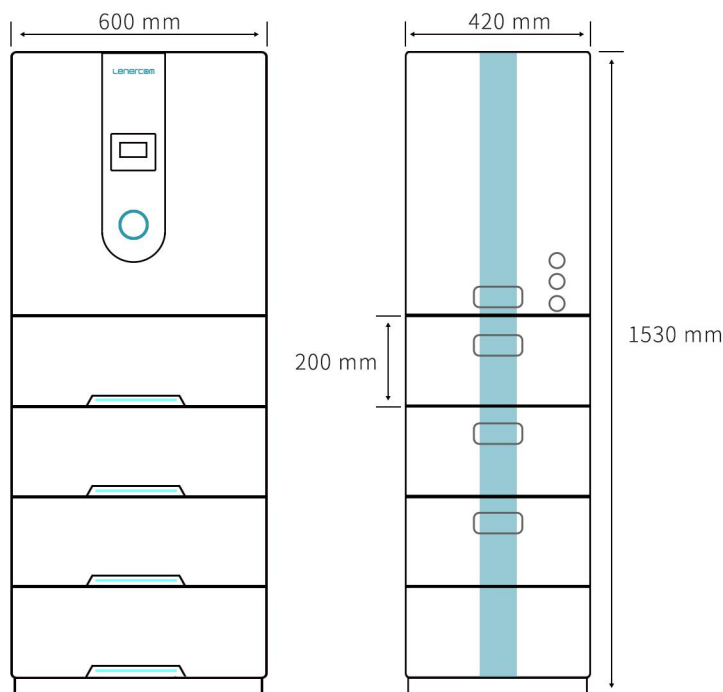
## Compatible Parameter

Certifications	CE/TUV
Safety Regulations	IEC 62109-1&-2,
	IEC 62477,
	EN 61000, UN38.3
Grid Regulations	/

## Mechanical Specifications \*

Inverter Dimensions/Weight	600/420/600mm/38.5kg
Battery Dimensions/Weight	600/420/200mm/54kg
Base Dimensions/Weight	600/420/130mm/17.5kg
Mounting Options	Stacking

\* The dimension of the product shall be subject to the real object, with a tolerance of ±3%.



\*The dimension of the above picture corresponds to the product model: LC-E2-420.

## Environmental Specifications

Operating Temperature *	-15°C~55°C
Recommend Temperature	25°C
Altitude	2000M
Humidity	5~95%Without Condensation
Ingress Rating	IP54

\* When the temperature is below 0°C or above 40°C, the performance will be limited.

**Lenercom**

**Lenercom ESS-4K**

Hunan Lenercom Technology Co., Ltd.

+86 0731-88051567    +86 181 0841 3339    <https://www.lenercom.com>

Floor 12, building B1, Lugu science and technology innovation and entrepreneurship Park, Changsha City, Hunan Province



WATCH THE VIDEO